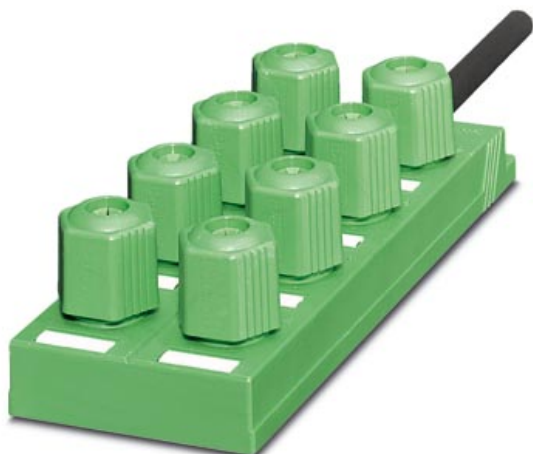


Please note that the data given here has been taken from the online catalog. For comprehensive information and data, please refer to the user documentation at <http://www.download.phoenixcontact.com>. The General Terms and Conditions of Use apply to Internet downloads.

## ► Extract from the online catalog



Sensor/actuator box, complete, without LED, master cable, marker and QUICKON sets

Order No.	1683701
Ord designation	SACB-8Q/4P- 5,0PUR
EAN	4017918171063
Pack	1 Pcs.
Customs tariff	85445190
Catalog page information	Page 149 (PC-2005)

## ► Technical data

### General data

Nominal voltage $U_N$	120 V DC
Nominal voltage $U_N$	120 V AC
Max. operating voltage $U_{max}$	135 V DC
Max. operating voltage $U_{max}$	135 V AC
Ambient temperature (operation)	-25 ° C ... 60 ° C
Ambient temperature (operation)	-25 ° C ... 50 ° C (When the conductor is connected. Specifications of the cable manufacturer must also be observed)
Degree of protection	IP65/IP67
Number of positions	4
Max. current carrying capacity per path	4 A
SACB total current	12 A
Number of slots	8
Sensor/actuator connection system	QUICKON

---

**Master cable data**

Type of connection	Fixed connection
Fixed cable length	5 m
Cable type	Master cable suitable for flexible cable conduit
Ambient temperature (operation)	-30 ° C ... 90 ° C (for fixed installation)
Ambient temperature (operation)	-5 ° C ... 70 ° C (for flexible installation)
Signal line cross section, flexible	0.34 mm <sup>2</sup>
Power supply cross section, flexible	0.75 mm <sup>2</sup> (3x)
External diameter	9.2 mm
AWG power supply	18
AWG signal line	22

---

**Conductor data**

Structure of individual litz in acc. with VDE 0295 / smallest wire diameter	Class 2-6 // 0.34 mm <sup>2</sup> : 0.1 mm; 0.5 - 0.75 mm <sup>2</sup> : 0.15 mm
Wire insulation material	PVC/PE
Wire diameter incl. insulation	<= 2.5 mm
Tightening torque, union nut	2.5 Nm
Wrench size, union nut	22 mm
Note on the frequency of connections	if the conductor is connected more than once, seal and cap may need to be replaced.
Conductor cross section AWG/kcmil min.	0,34
Conductor cross section AWG/kcmil max	0,75

---

**Insulation material**

Insulating material	PA 6.6
Inflammability class acc. to UL 94	V0

---

---

## ► Certificates

---

### **CUL**

Nominal voltage $U_N$	120 V
AWG/kcmil	22-16

---

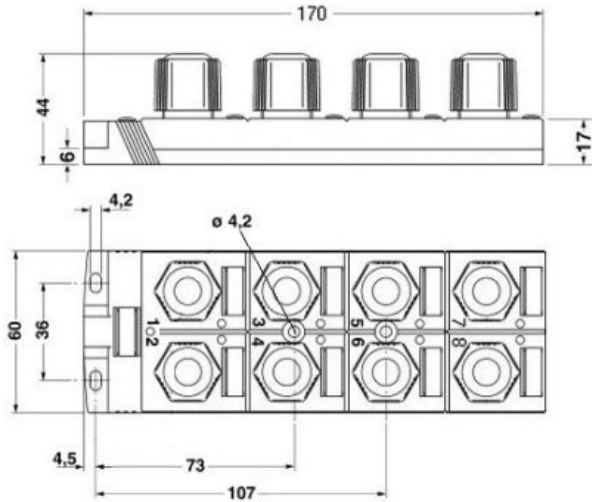
### **UL**

Nominal voltage $U_N$	120 V
AWG/kcmil	22-16

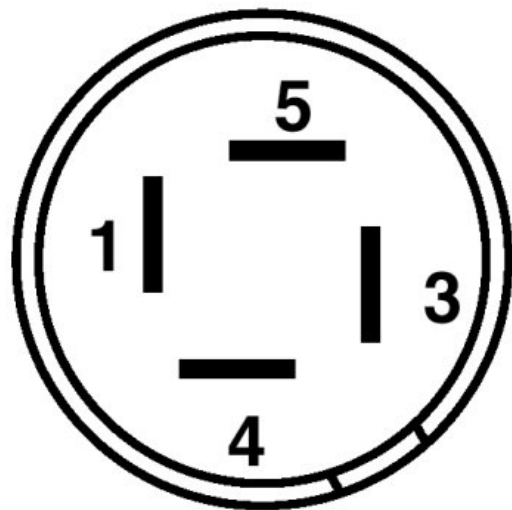
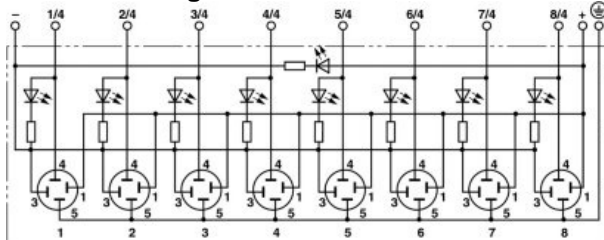
---

► Drawings

Dimensioned drawing



Schematic diagram



Approval logo



---

**► Accessories**

---

Item	Designation	Description
<b>Assembly</b>		
1670743	Q SET-11/4 COD1 SACB-Q	QUICKON Set, consisting of nut, cap, seal and splice ring as a replacement
1670235	Q-PROT 9/11	Sealing cap, for Pg9 / Pg11, for closing unoccupied connections
<b>Tools</b>		
1670206	QSS 22	Allen wrench, for loosening and fastening the QUICKON union nut, WAF 19 mm

---

---

► **Address**

---

PHOENIX CONTACT GmbH & Co. KG  
Flachsmarktstr. 8  
32825 Blomberg  
Germany  
Phone +49 5235 3 00  
Fax +49 5235 3 41200  
<http://www.phoenixcontact.com>  
Phoenix Contact  
Technical modifications reserved;